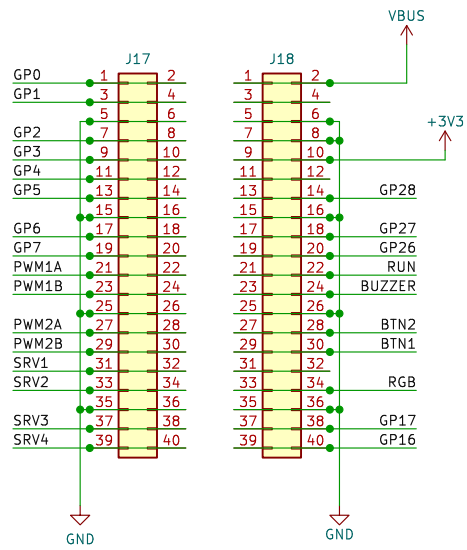
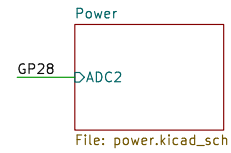


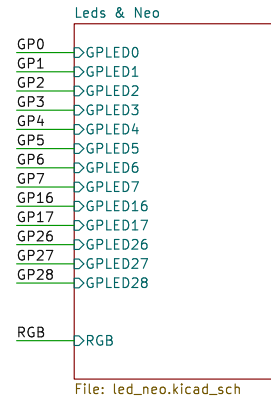
Pi Pico & Pico W Header



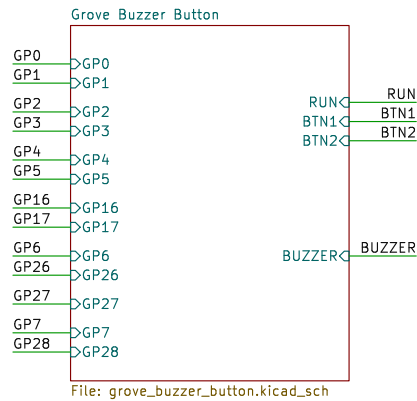
Power



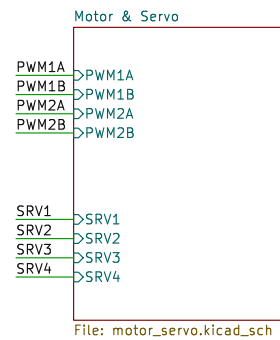
Leds & Neo Pixels



Grove Ports, Buzzer & Button



Motor & Servo



Cytron Technologies

Sheet: /
File: Robo-Pico.kicad_sch

Title: Robo-Pico

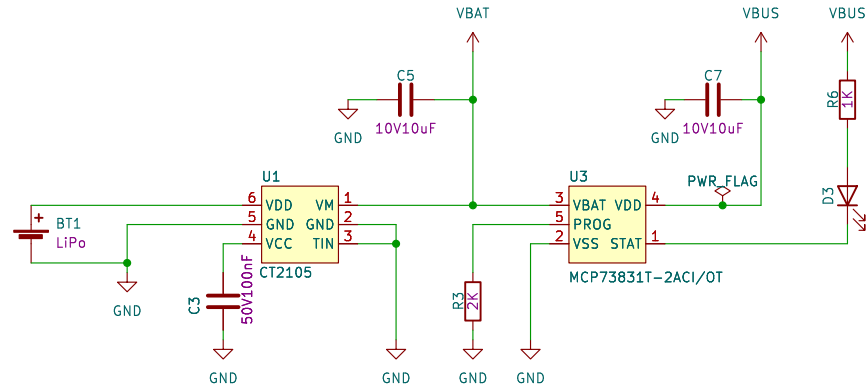
Size: A4 Date: 2023-04-17

KiCad E.D.A. kicad 7.0.2

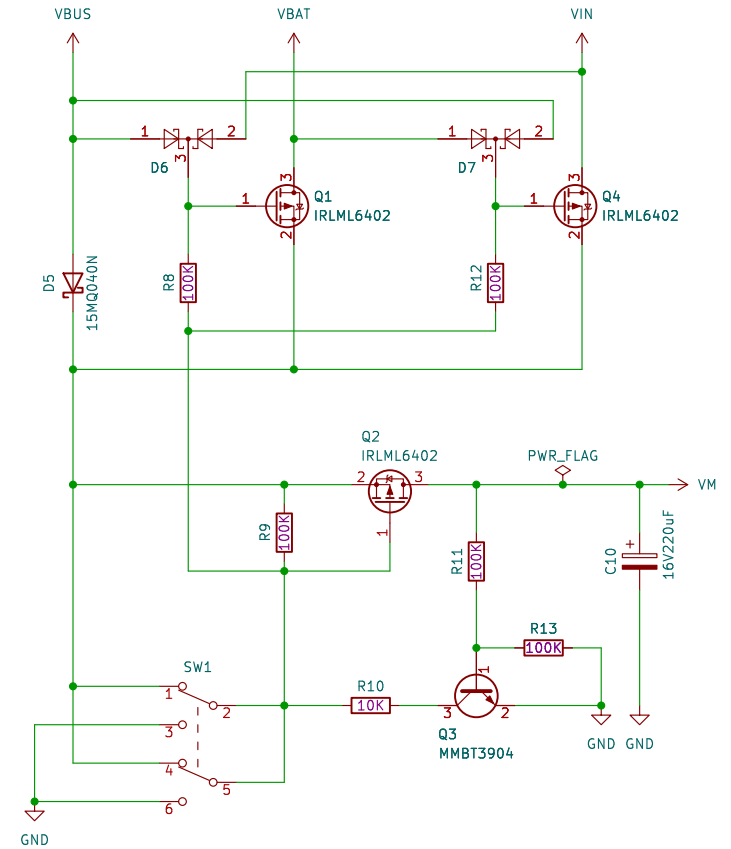
Rev: 1

Id: 1/5

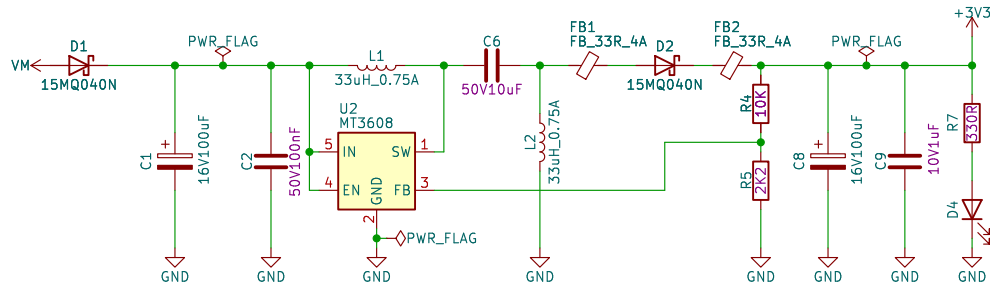
Charger & Protection Circuit



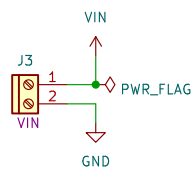
Power Input Selector & Shock Proof ON/OFF Switch



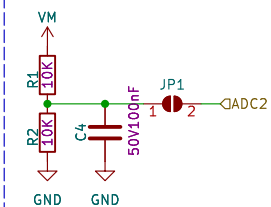
3.3V Buck Boost Regulator



External Power Input



Battery Measurement



Cytron Technologies

Sheet: /Power/
File: power.kicad_sch

Title: Robo-Pico

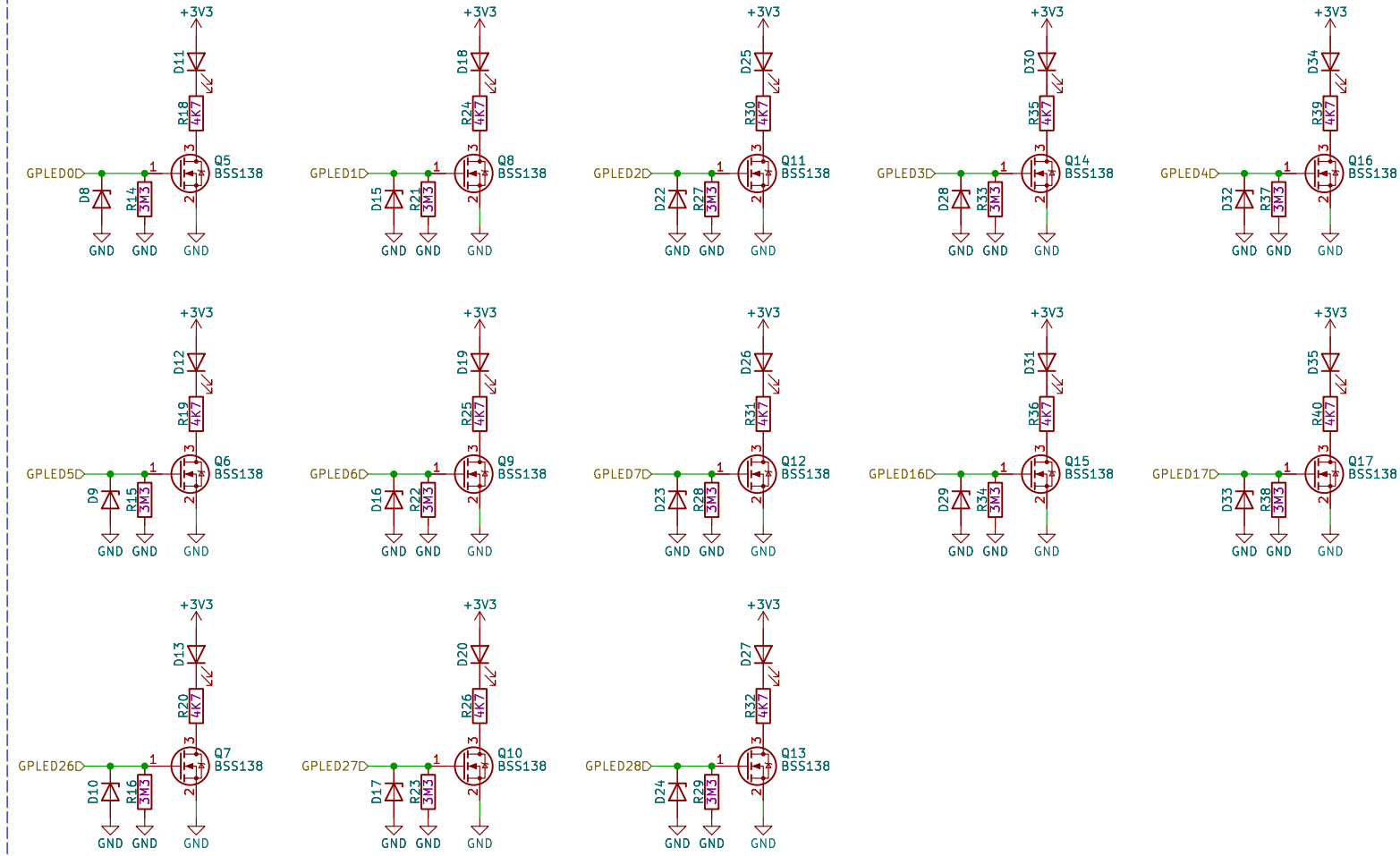
Size: A4 Date: 2023-04-17

KiCad E.D.A. kicad 7.0.2

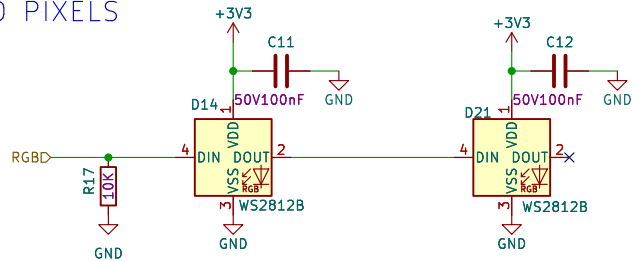
Rev: 1

Id: 2/5

LEDS



NEO PIXELS



Cytron Technologies

Sheet: /Leds & Neo/
File: led_neo.kicad_sch

Title: Robo-Pico

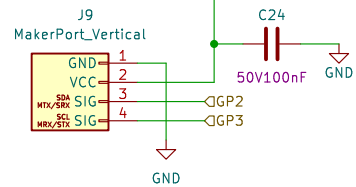
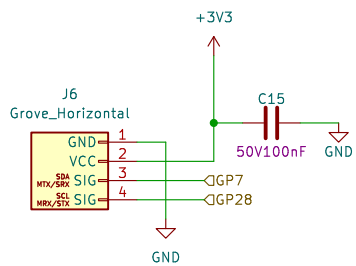
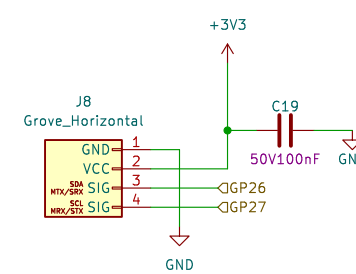
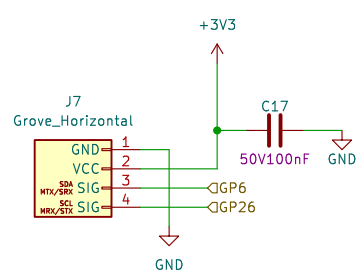
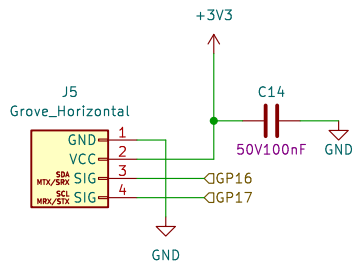
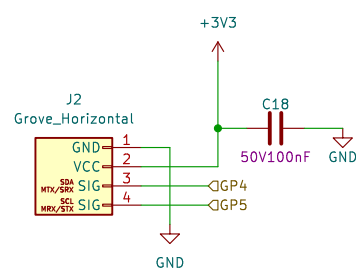
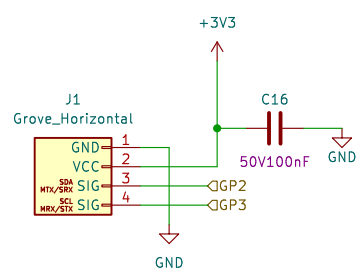
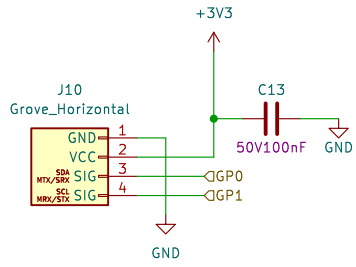
Size: A4 Date: 2023-04-17

KiCad E.D.A. kicad 7.0.2

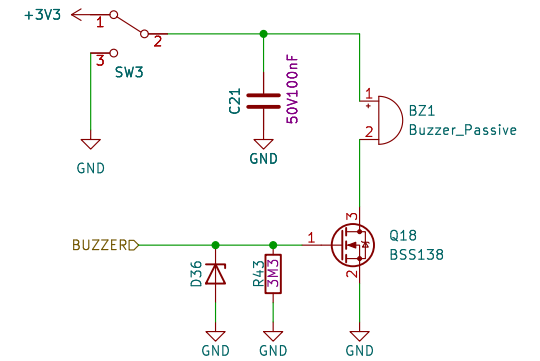
Rev: 1

Id: 3/5

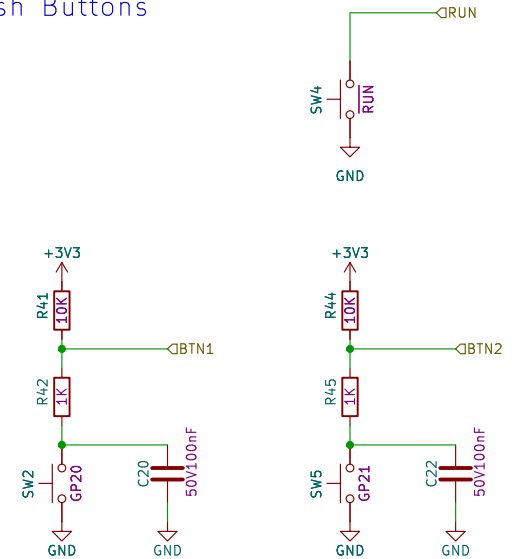
Grove Port



Buzzer



Push Buttons



Cytron Technologies

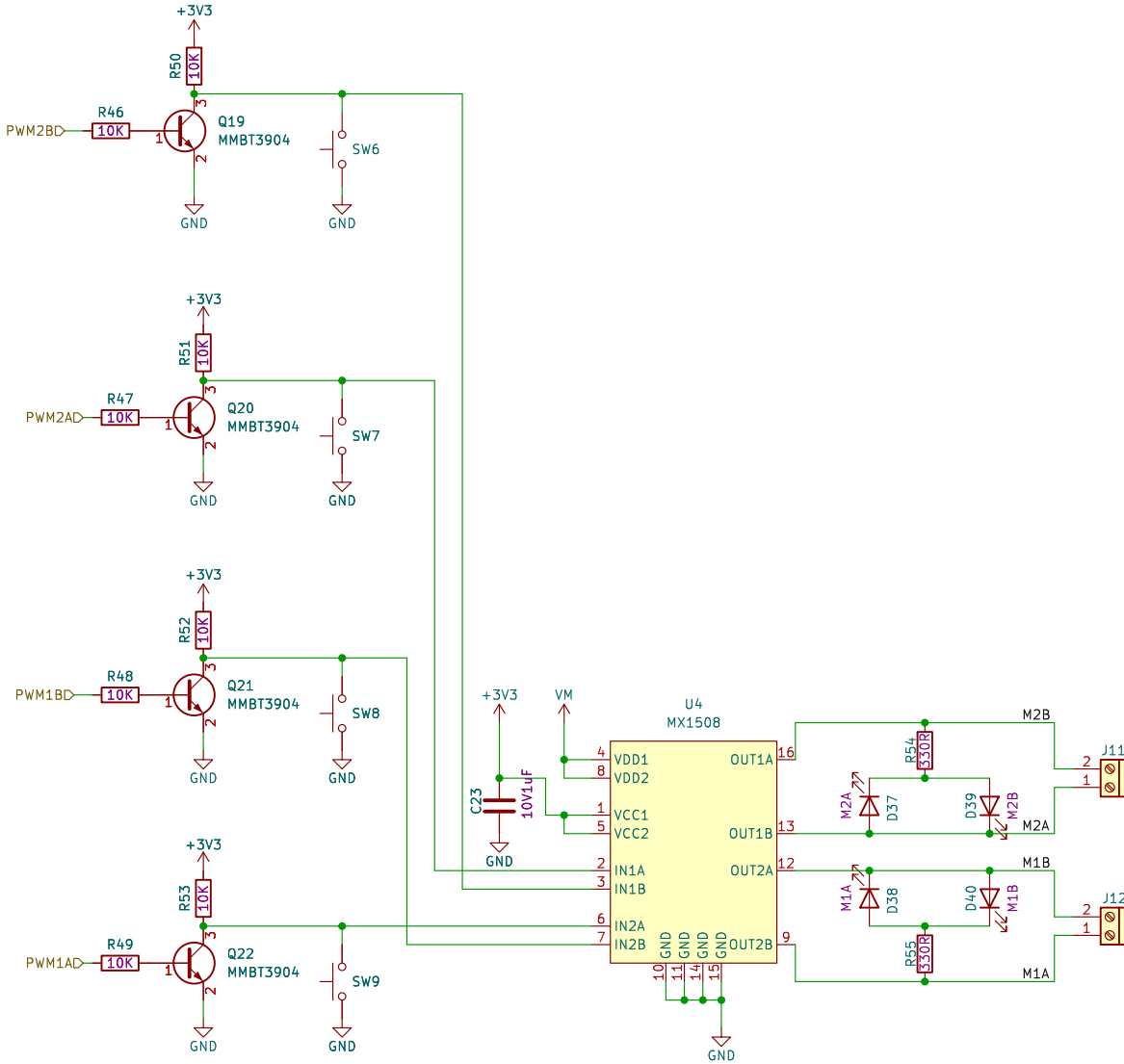
Sheet: /Grove Buzzer Button/
File: grove_buzzer_button.kicad_sch

Title: Robo-Pico

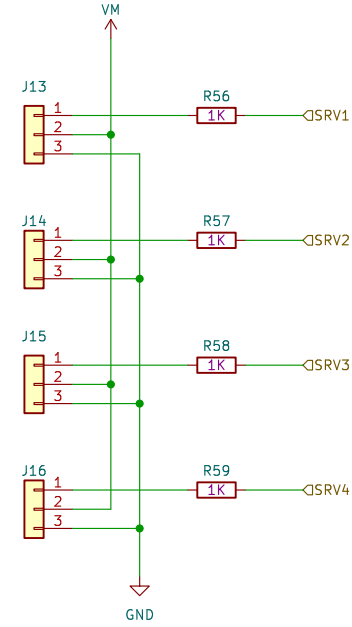
Size: A4 Date: 2023-04-17
KiCad E.D.A. kicad 7.0.2

Rev: 1
Id: 4/5

Motor Drivers



Servo Ports



Cytron Technologies

Sheet: /Motor & Servo/
File: motor_servo.kicad_sch

Title: Robo-Pico

Size: A4 Date: 2023-04-17

KiCad E.D.A. kicad 7.0.2

Rev: 1

Id: 5/5